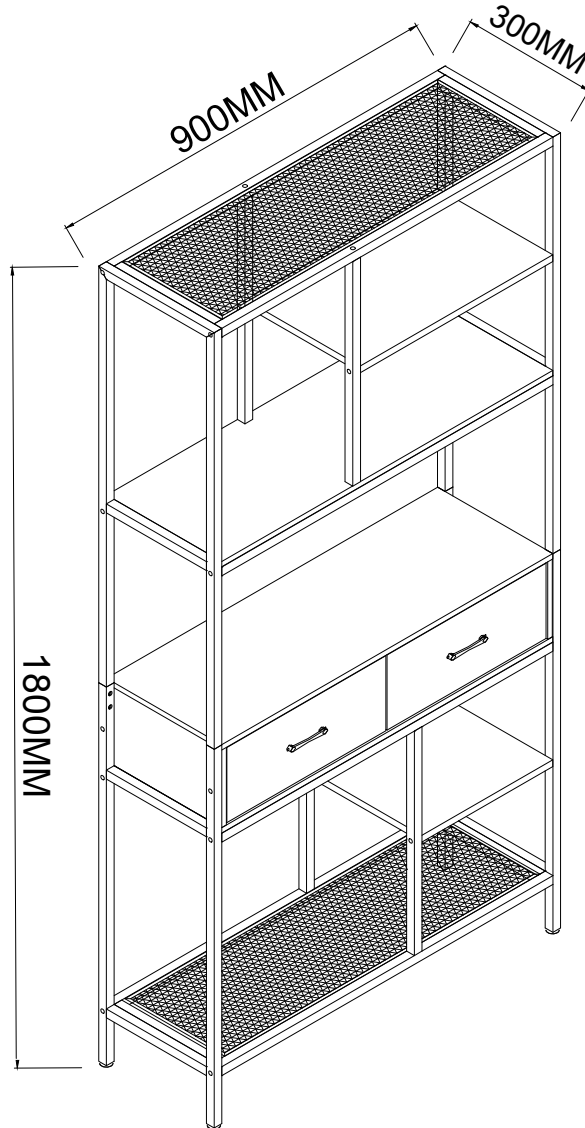


ASSEMBLY INSTRUCTION

FINNICK

BOOKCASE WITH DRAWER

ITEM CODE: 84888



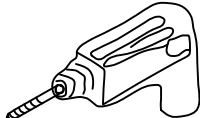

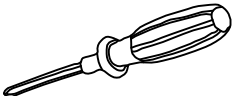



Imported by JWA Furniture Pty Ltd, Brisbane, QLD, Australia
For any assistance with assembly or for missing parts, please refer to your receipt

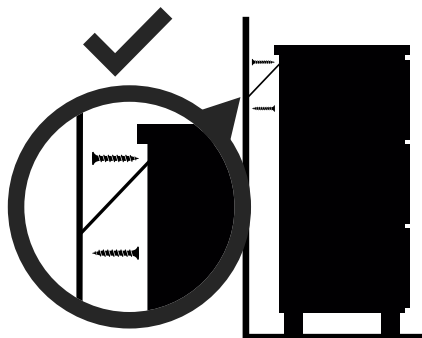
PRE-ASSEMBLY PREPARATION

Before you start:

1. Choose a clean, level, spacious assembly area. Avoid hard surfaces that may damage the product.
2. Take care when lifting. Product should be assembled as near as possible to the point of use.
3. Ensure that you have all required contents for complete assembly.
4. Always read the assembly instructions carefully before beginning assembly.
5. Keep all hardware parts and packaging out of reach of small children.
6. Do not over tighten the screws and bolts as this may damage the threads.
7. Assembly is to be carried out by a competent adult(s) ONLY.
8. During assembly, children should be kept away from the product due to possible risk to injury.
9. Do not use this item if any components are missing or damaged.
10. Please keep the instructions for future reference.

		IF REQUIRED 
Allow 60 min	For 1 person	Low speed (Ø6mm)
   ADDITIONAL TOOLS REQUIRED		

WARNING



Children have died from furniture tipover.

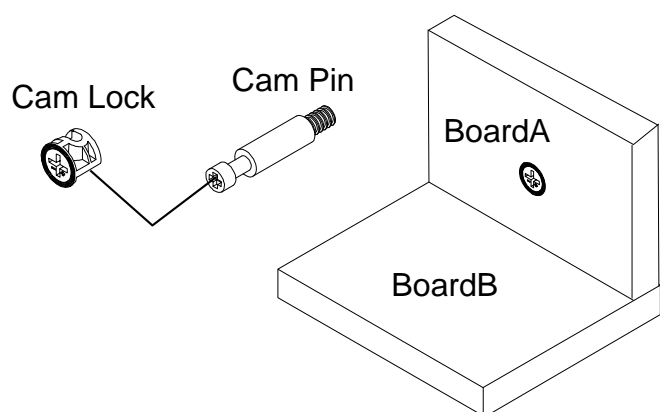
- ALWAYS secure it with an anchor device.
- NEVER allow children to stand, climb or hang on drawers, doors, or shelves.
- NEVER open more than one drawer at a time.
- Place heavy items down low

NEVER put a TV on this furniture



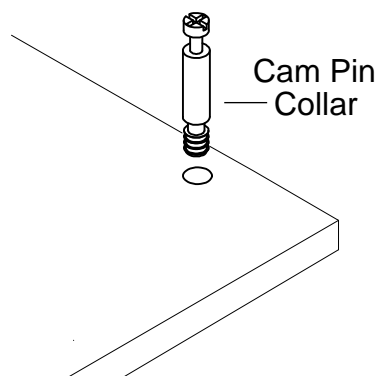
**This is a permanent label.
Do not remove!**

TO USE CAM LOCK FASTENERS



To assemble this product hardware called Cam Lock Fasteners are used. The below is information on how these work.

Cam Locks are fasteners used to join two boards together, usually the edge of one board (A) to the flat side of another board (B).

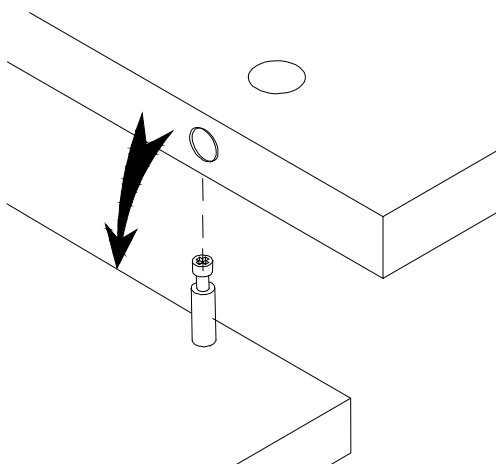


The Cam Pin is inserted into the flat side of a board, it is important that: The cam pin is kept vertical and is not put in on an angle.

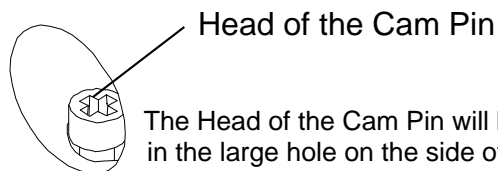
Cam pin is to be inserted up to collar

Too far and it wont catch the Cam Lock (Do Not Overtighten)

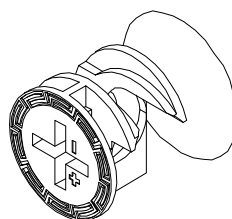
Not enough and the resulting product will not be stable.



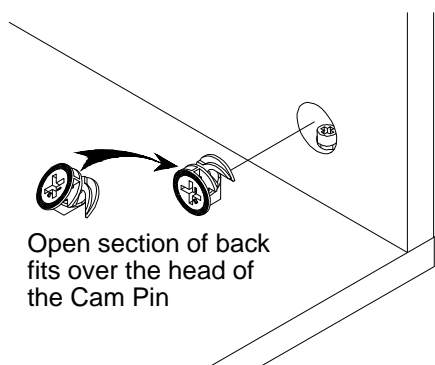
Now fit the hole in the edge of the joining board over the Cam Pin.



The Head of the Cam Pin will be visible in the large hole on the side of the joining board.

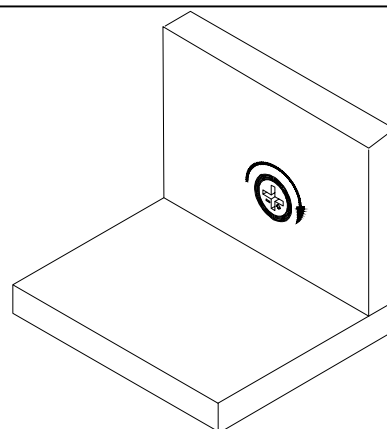


Notice the Cam Lock has a "C" Shaped Back. An arrow or +/- signs on the front indicate the open section on the back of the Cam Pin.

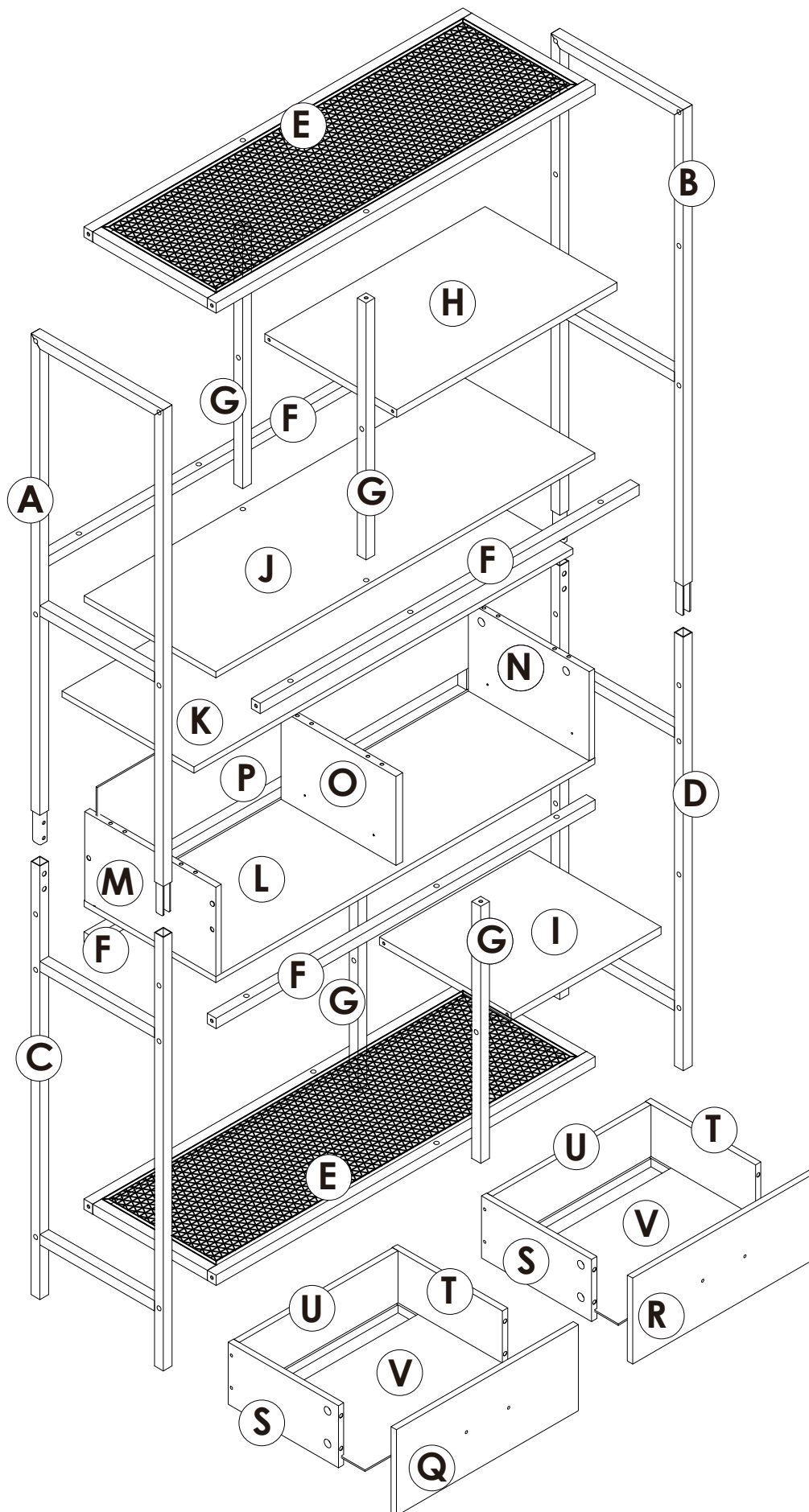


Open section of back fits over the head of the Cam Pin

Insert the Cam Lock into the large hole so the opening of the "C" fits over the head of the Cam Pin. You must ensure that the Cam Lock is pushed to the bottom of the hole to catch the top of the Cam Pin.



Use a Flat screwdriver to turn the Cam Lock clockwise one half turn so it locks onto the head of the Cam Pin. Turn only until it is snug. Over tightening could cause the Cam to bend or break. If it will not turn the full amount, turn the Cam Pin out (Counter-clockwise) one full turn, and try the Cam Lock again.


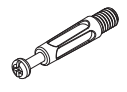

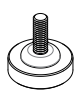

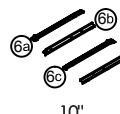
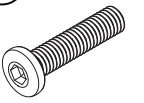

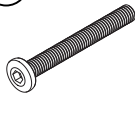


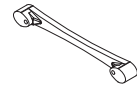
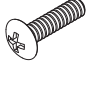
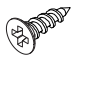
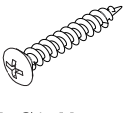
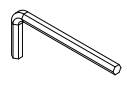
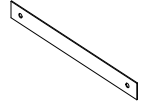



Item Code-84888

Box 1

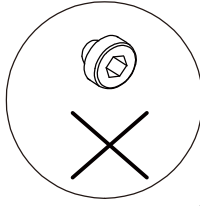
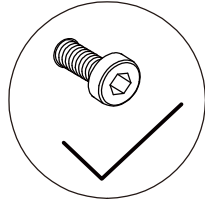
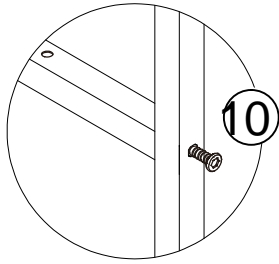
Panel(Mark)	Packing carton	Quantily	Panel(Mark)	Packing carton	Quantily
A	(Box 1)	1PC	L	(Box 1)	1PC
B	(Box 1)	1PC	M	(Box 1)	1PC
C	(Box 1)	1PC	N	(Box 1)	1PC
D	(Box 1)	1PC	O	(Box 1)	1PC
E	(Box 1)	2PCS	P	(Box 1)	1PC
F	(Box 1)	4PCS	Q	(Box 1)	1PC
G	(Box 1)	4PCS	R	(Box 1)	1PC
H	(Box 1)	1PC	S	(Box 1)	2PCS
I	(Box 1)	1PC	T	(Box 1)	2PCS
J	(Box 1)	1PC	U	(Box 1)	2PCS
K	(Box 1)	1PC	V	(Box 1)	2PCS

Please note - All Hardwares in box 1.

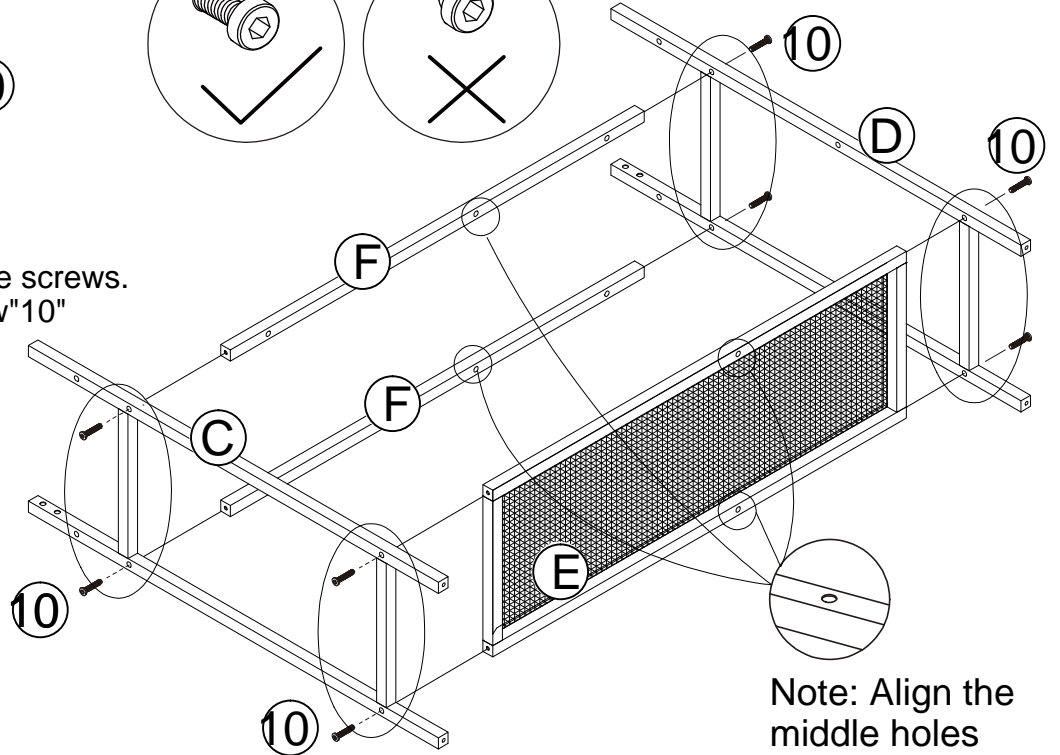
<p>① 14 PCS</p>  <p>Ø15×9.5mm</p>	<p>② 14 PCS</p>  <p>M6×32mm</p>	<p>③ 12 PCS</p>  <p>Ø6×30mm</p>	<p>④ 4 PCS</p>  <p>D30xM6x20mm</p>	<p>⑤ 6 PCS</p> 	<p>⑥ 2 Sets</p>  <p>10'</p>	<p>⑦ 12 PCS</p>  <p>M6×28mm</p>
<p>⑧ 8 PCS</p>  <p>M6×12mm</p>	<p>⑨ 2 PCS</p>  <p>M6×50mm</p>	<p>⑩ 22 PCS</p>  <p>M6x35mm</p>	<p>⑪ 8 PCS</p>  <p>M6.3x50mm</p>	<p>⑫ 2 PCS</p> 	<p>⑬ 4 PCS</p>  <p>M4x16mm</p>	<p>⑭ 26 PCS</p>  <p>M3.5×12mm</p>
<p>⑮ 16 PCS</p>  <p>Ø8xØ4x33 mm</p>	<p>⑯ 1 PC</p>  <p>M4</p>	<p>⑰ 2 PCS</p> 	<p>⑱ 2 PCS</p>  <p>Ø9xØ6x25mm</p>			



1

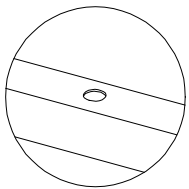
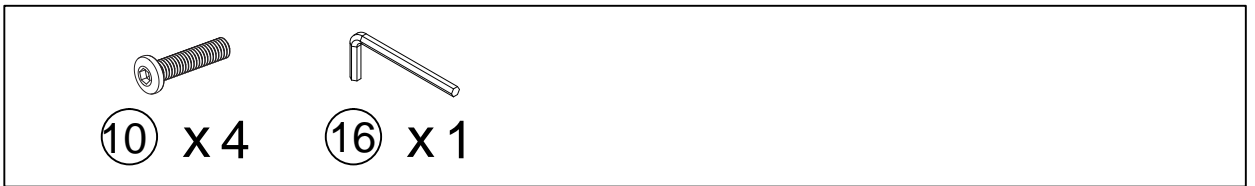


Note: Semi-tighten the screws.
Semi-tightening screw "10"
is to help step 12.

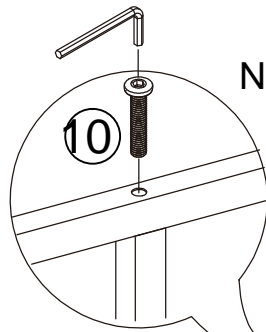


Note: Align the
middle holes

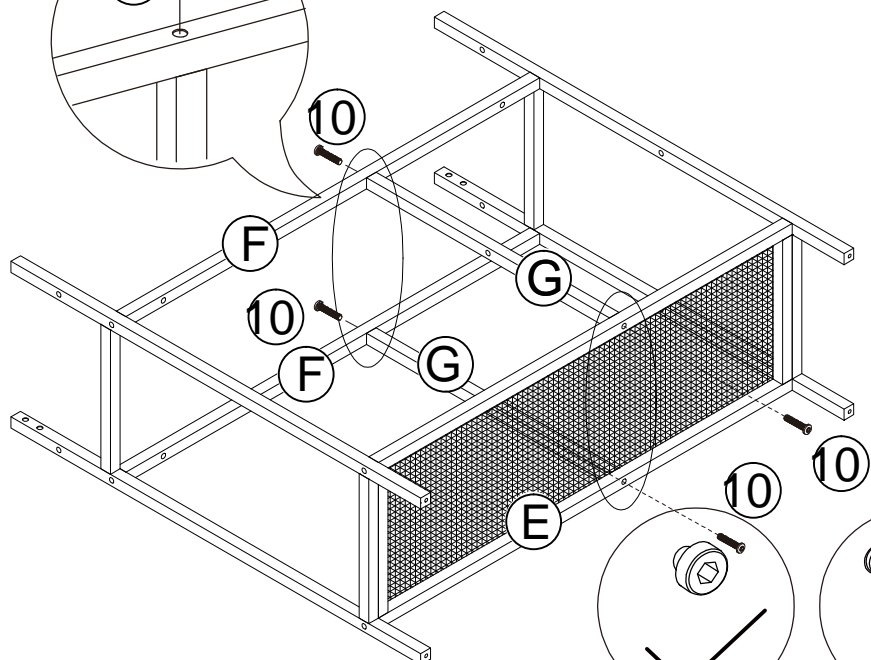
2




Note: Align the
middle holes

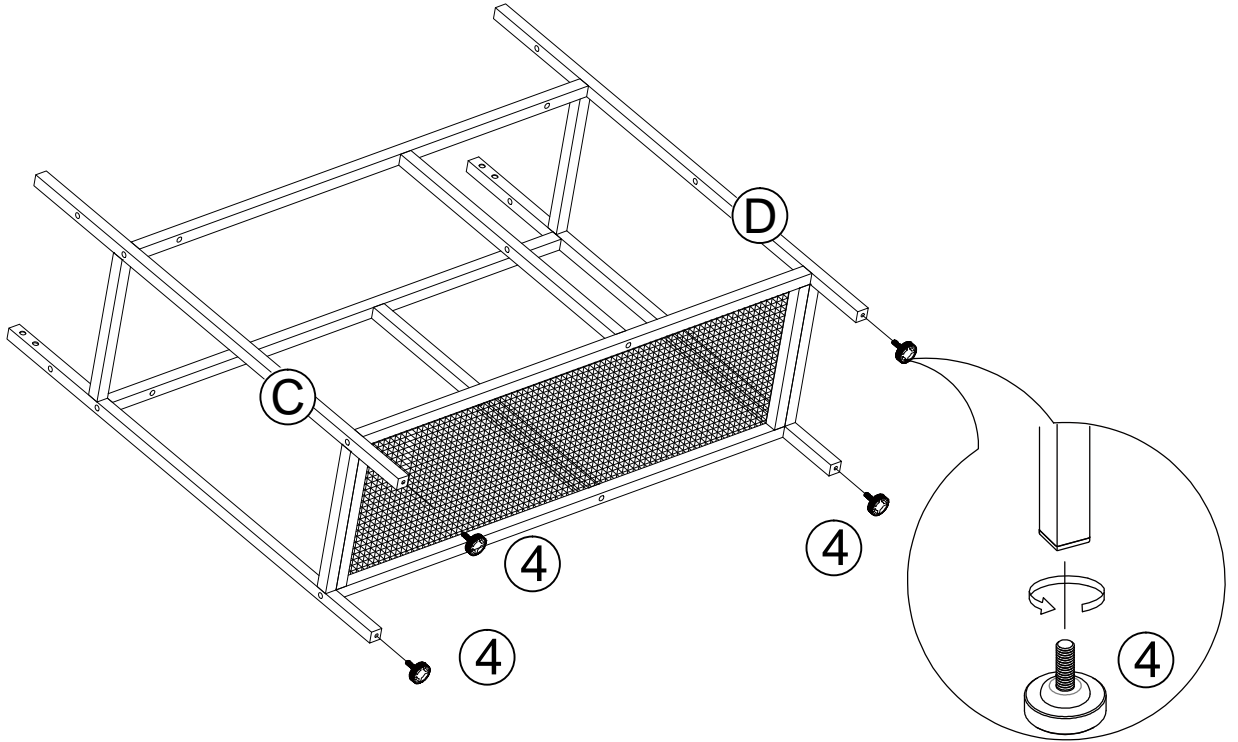


Note: Tighten the screws "10".

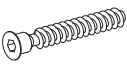


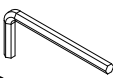
3

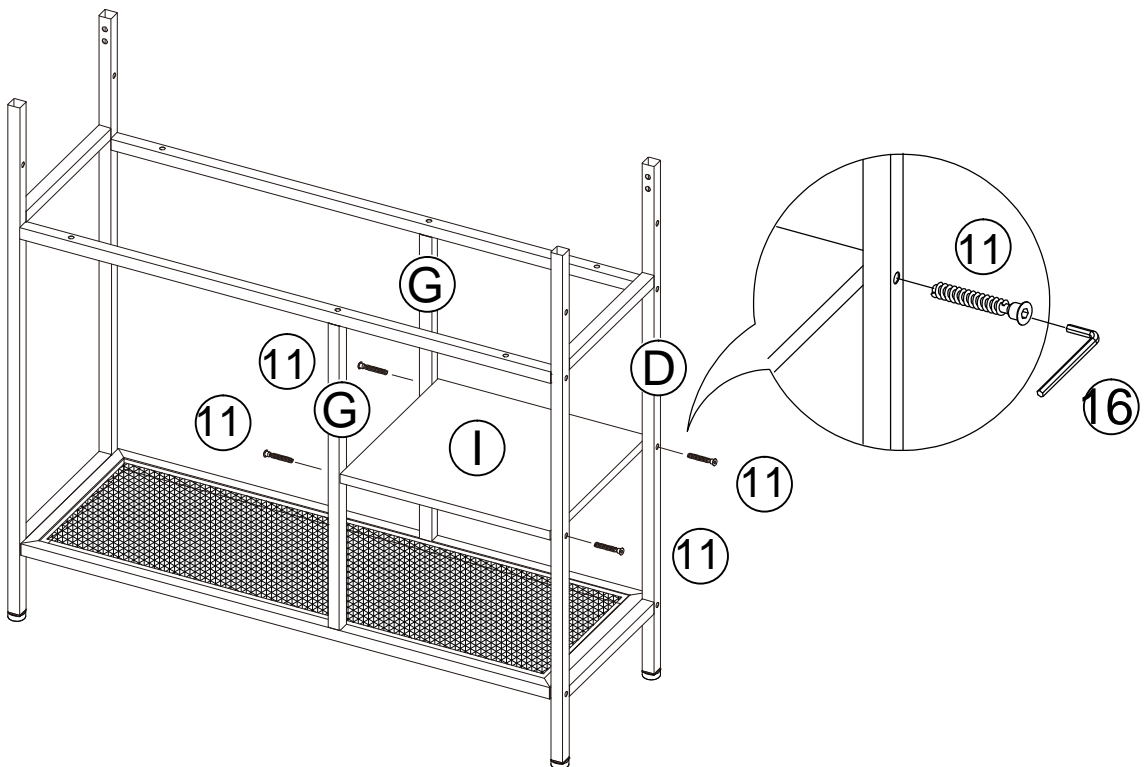

④ x 4



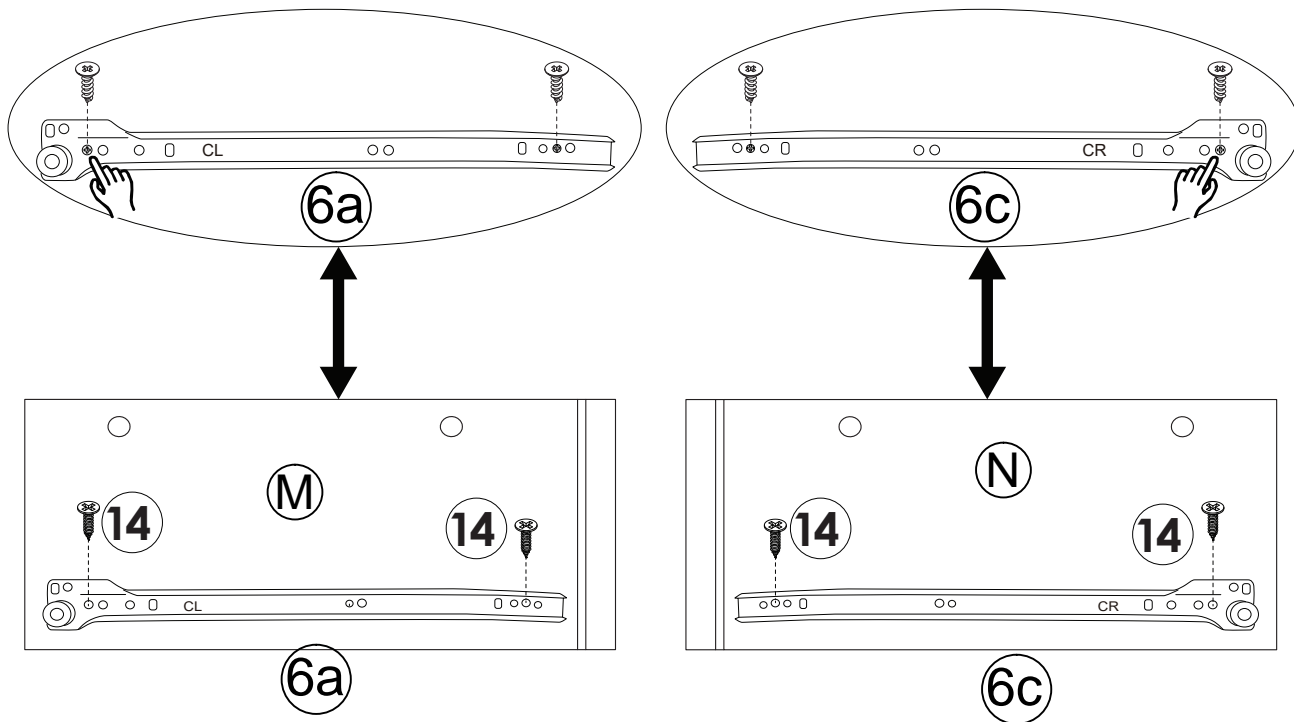
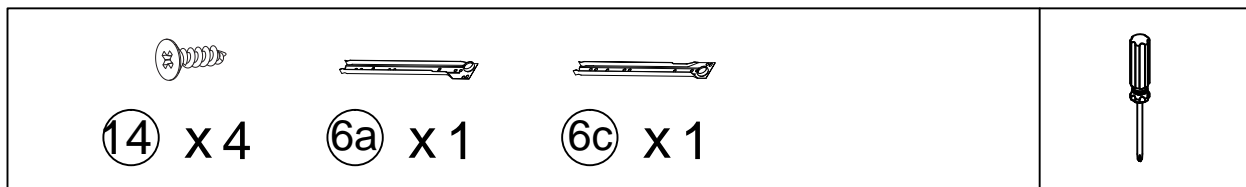
4


⑪ x 4

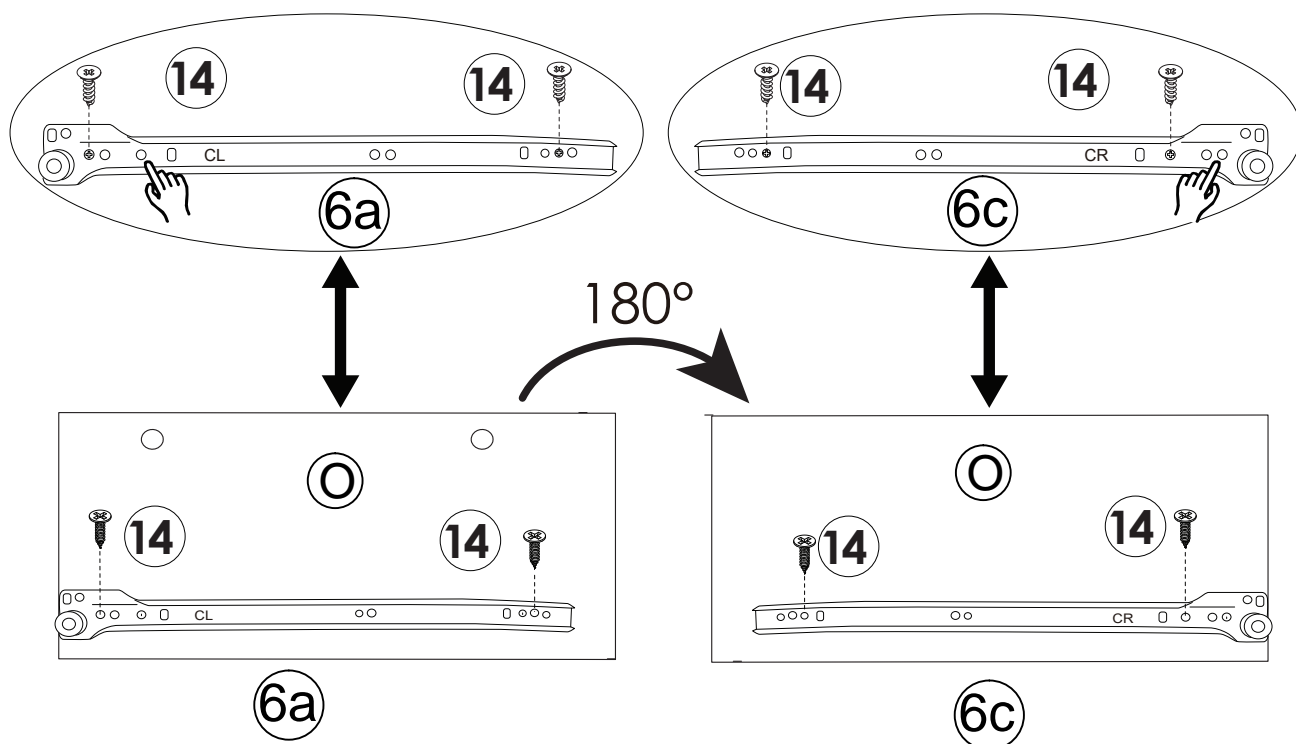
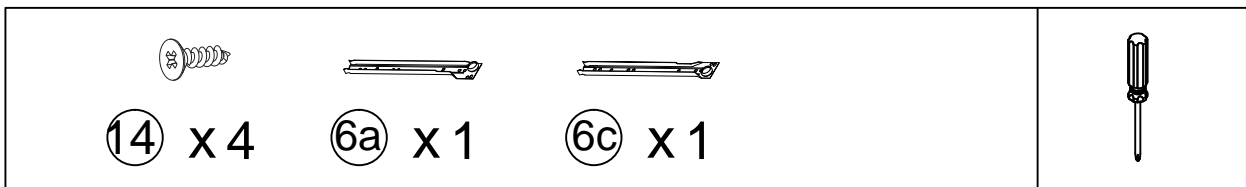

⑫ x 1



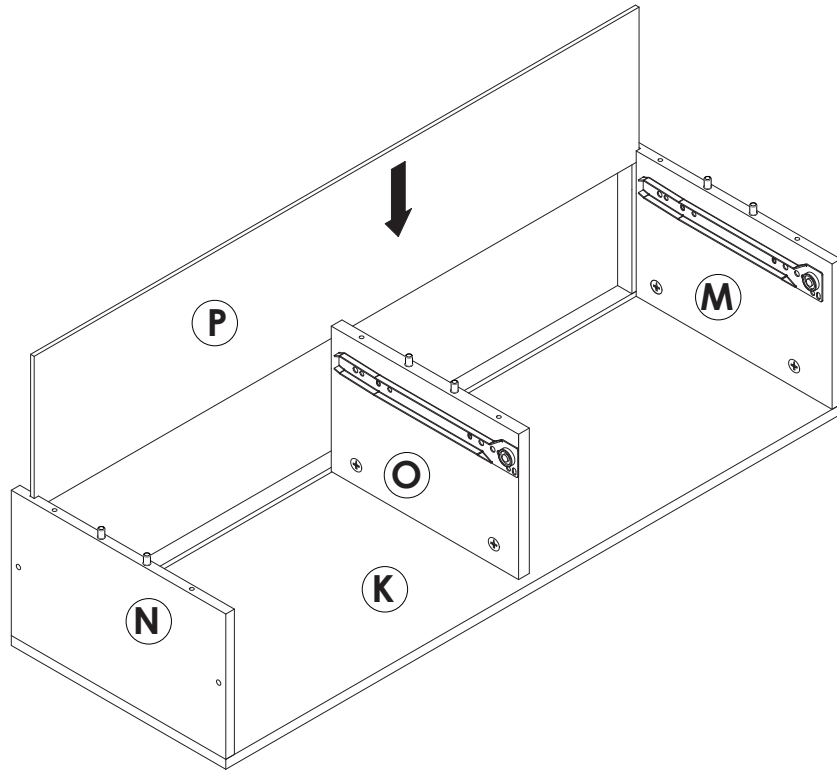
5




6

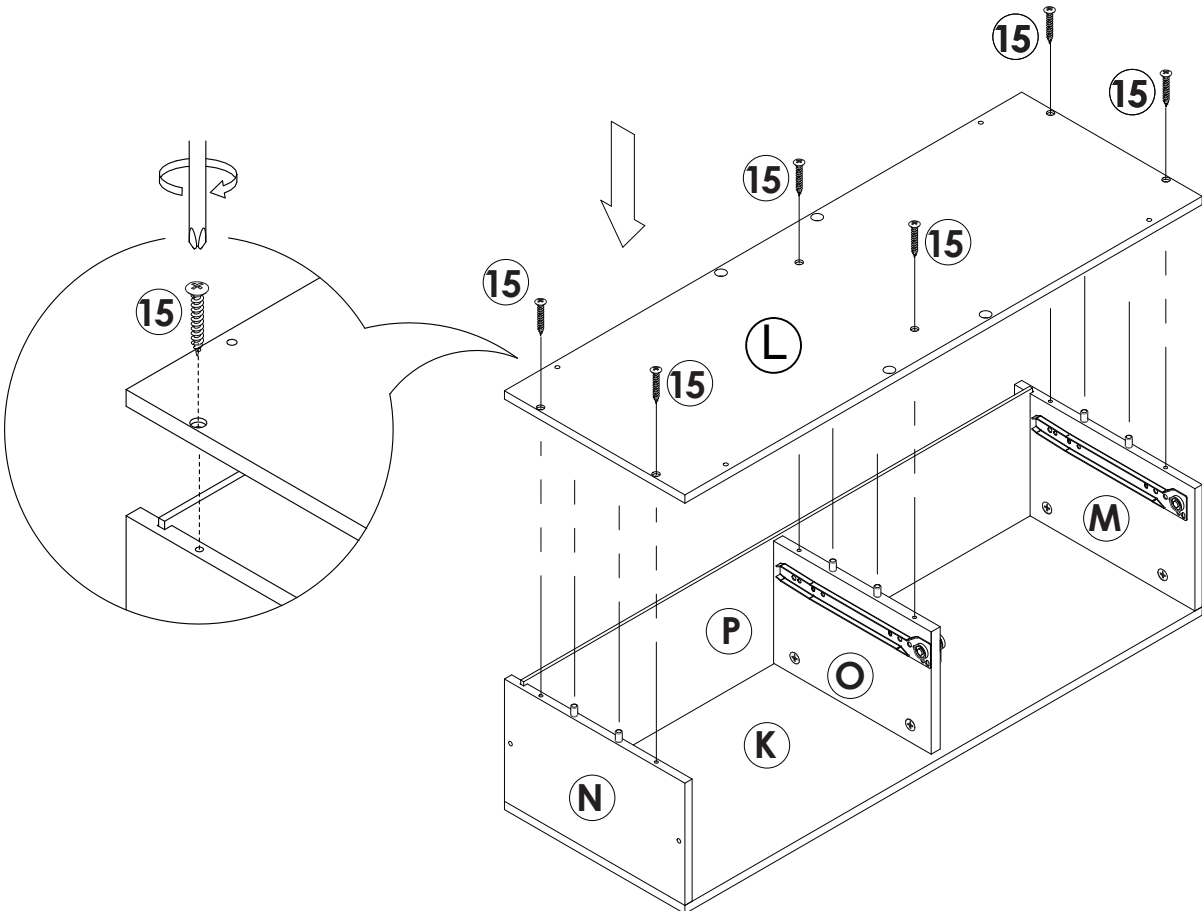


9

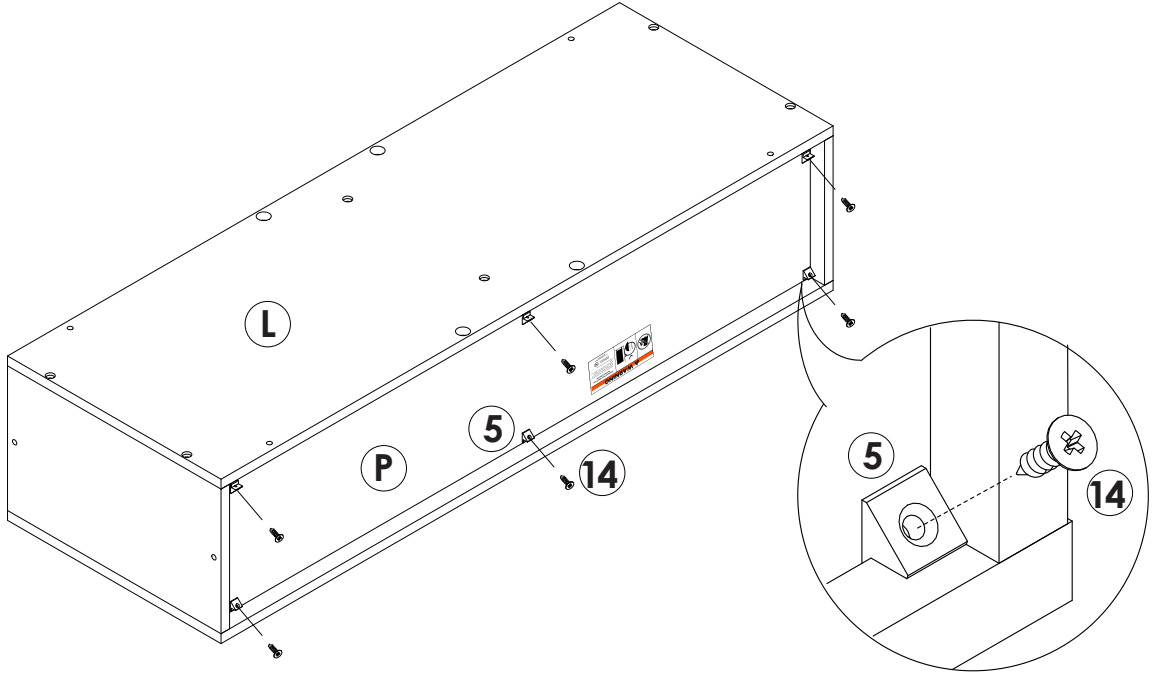
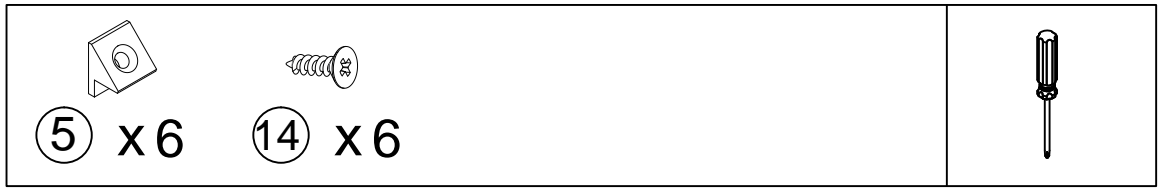


10

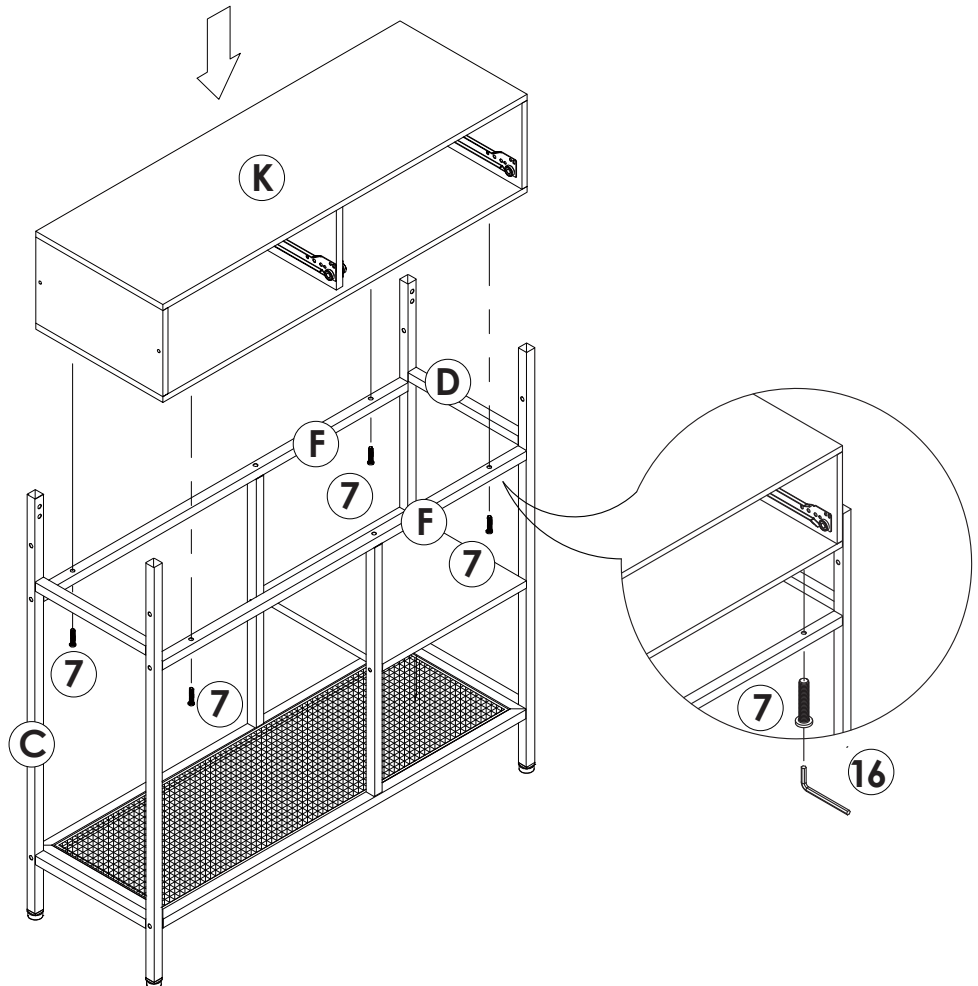

15 x 6



11



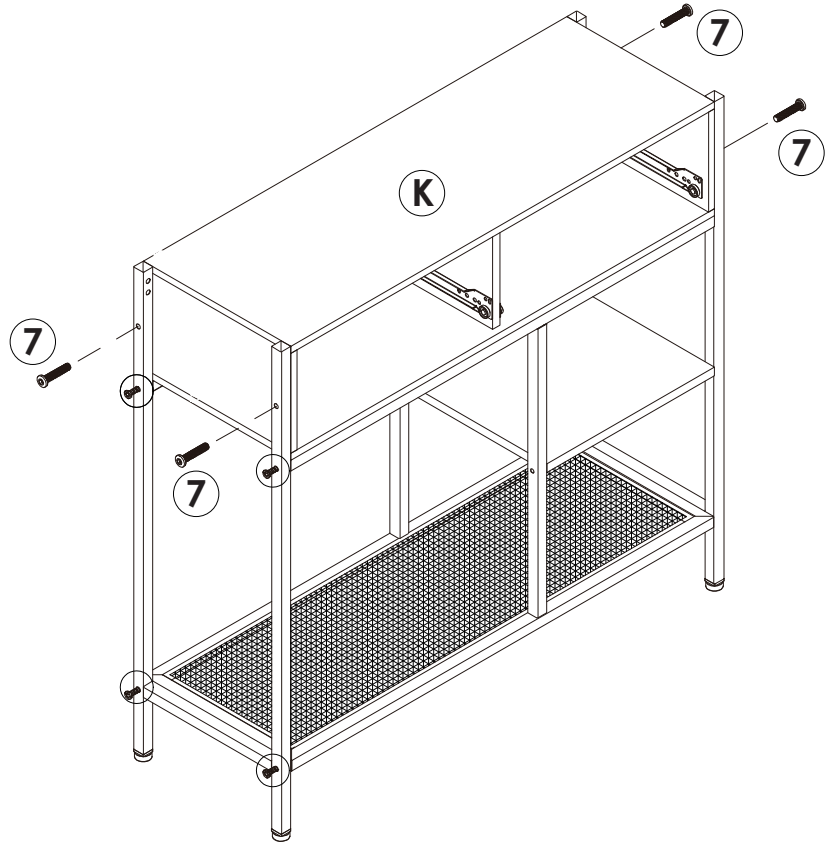
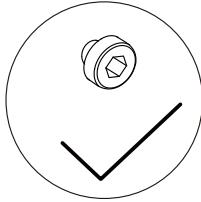
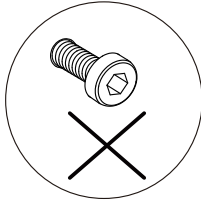
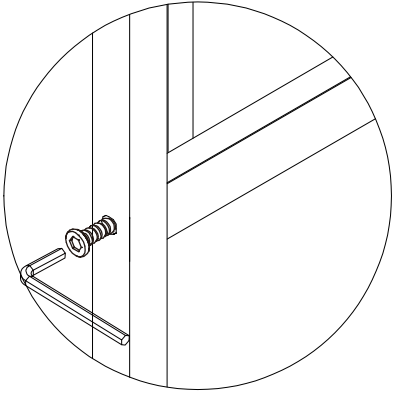
12



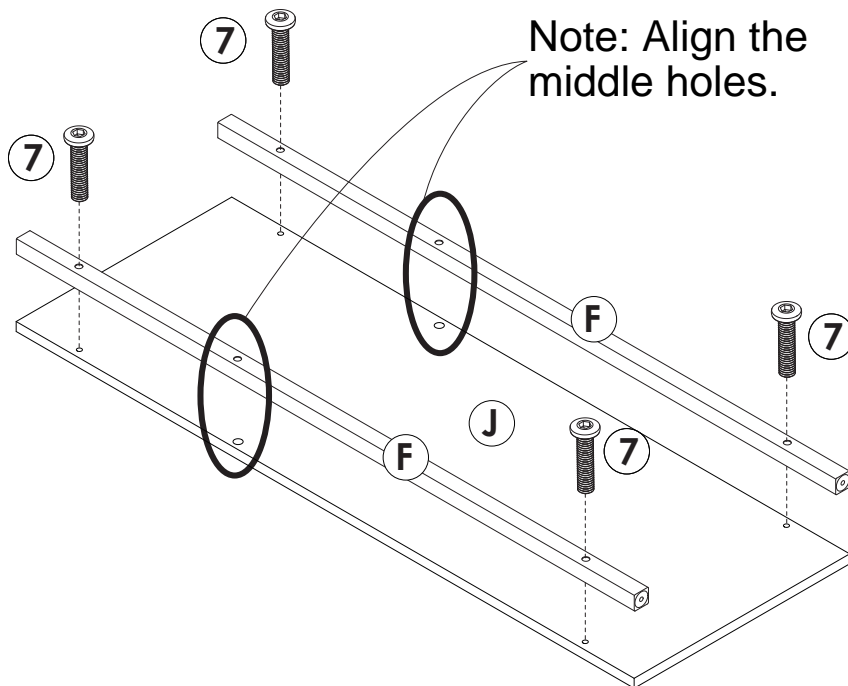
13



Tighten the all screws.

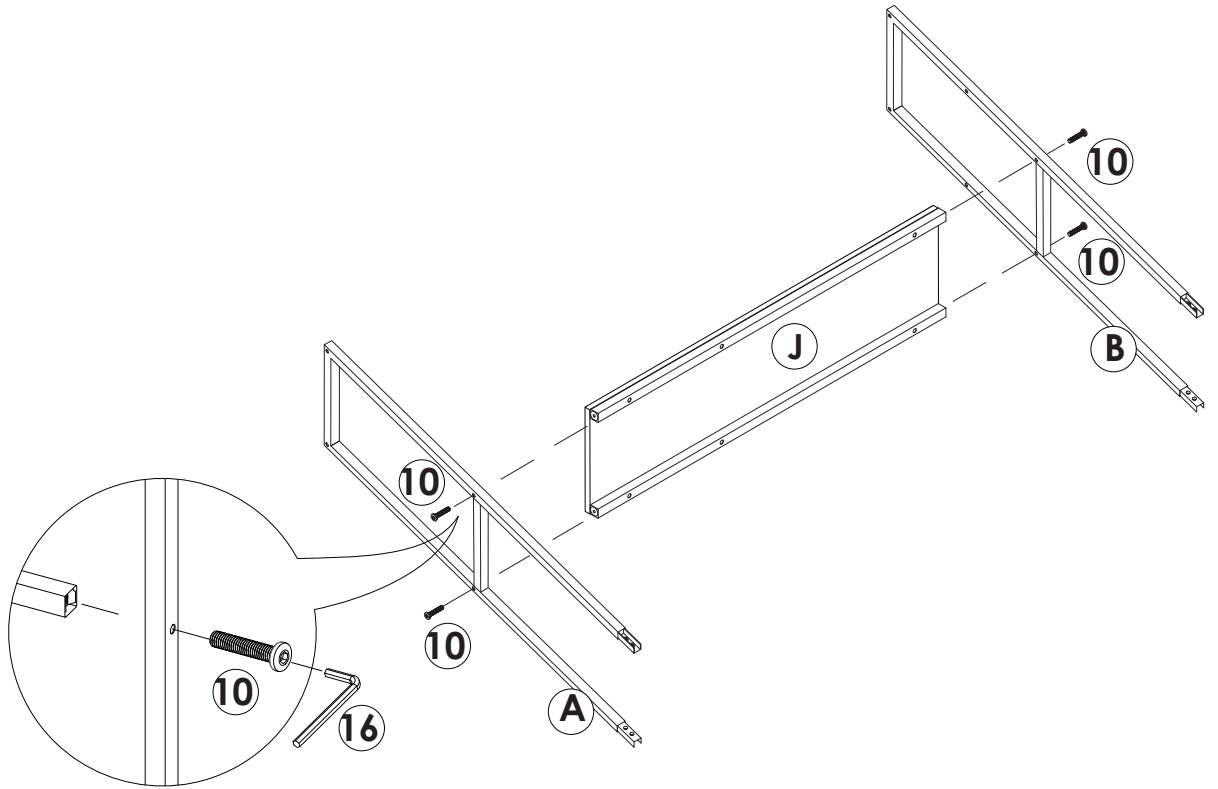


14



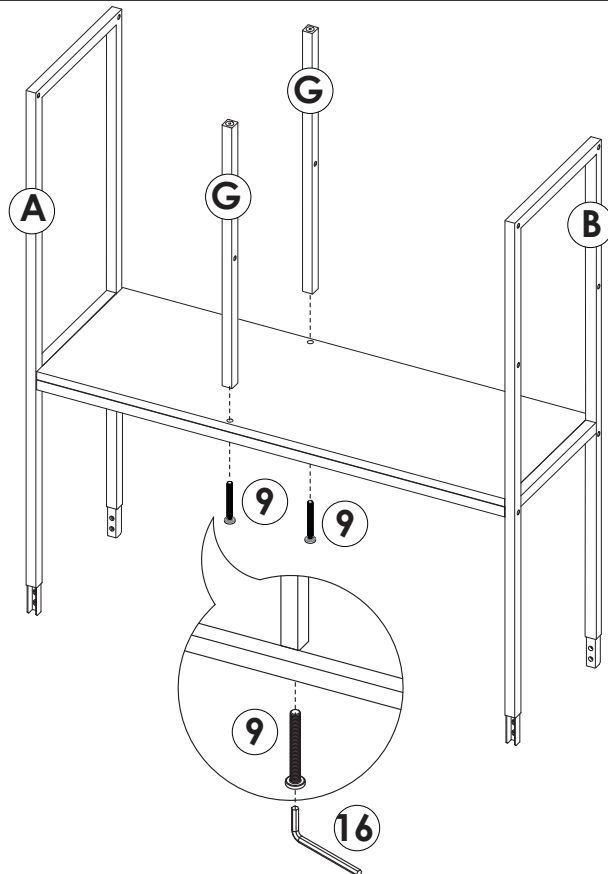
15

⑩ x 4 ⑩ ⑪ x 1



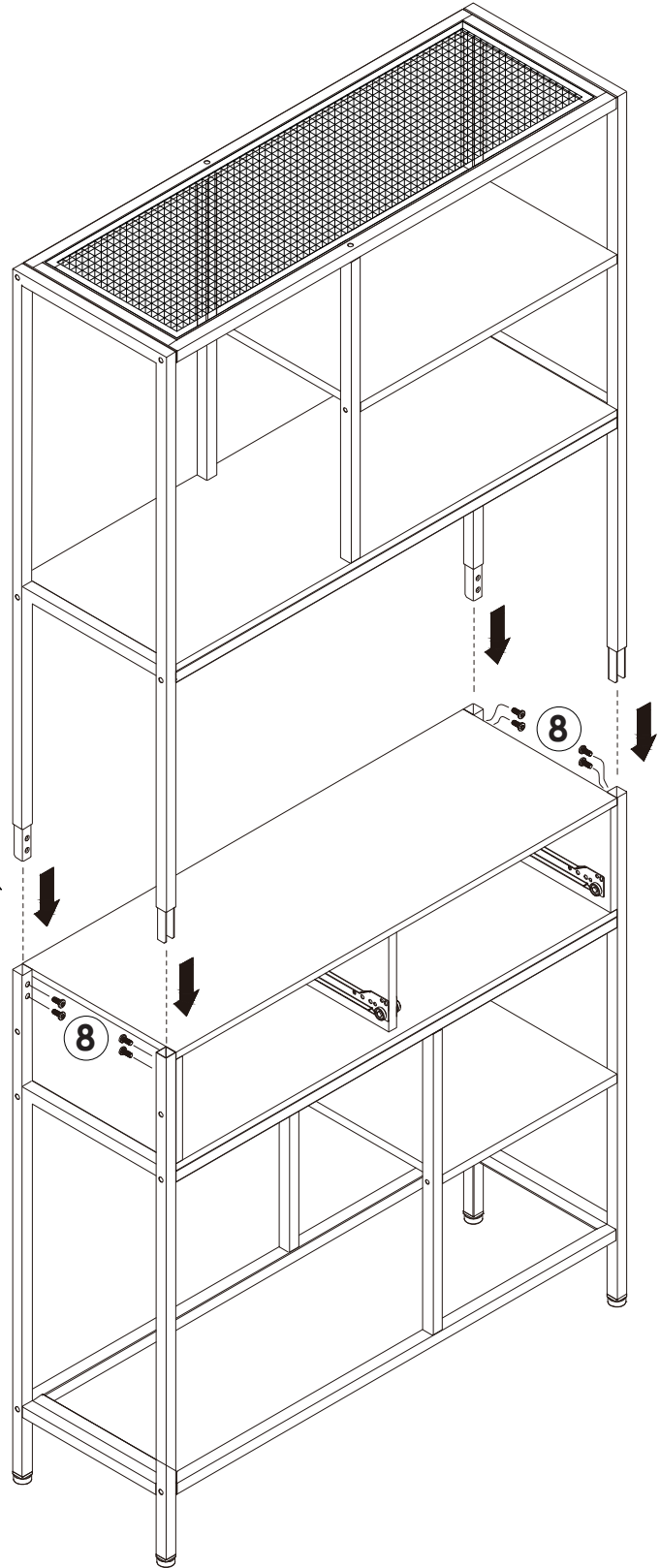
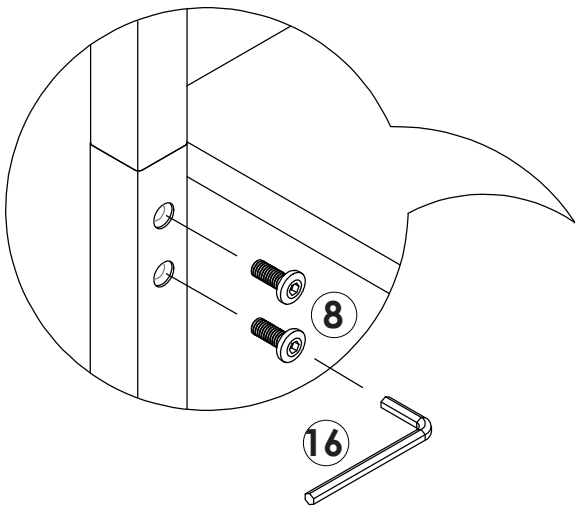
16

⑨ x 2 ⑩ ⑪ x 1




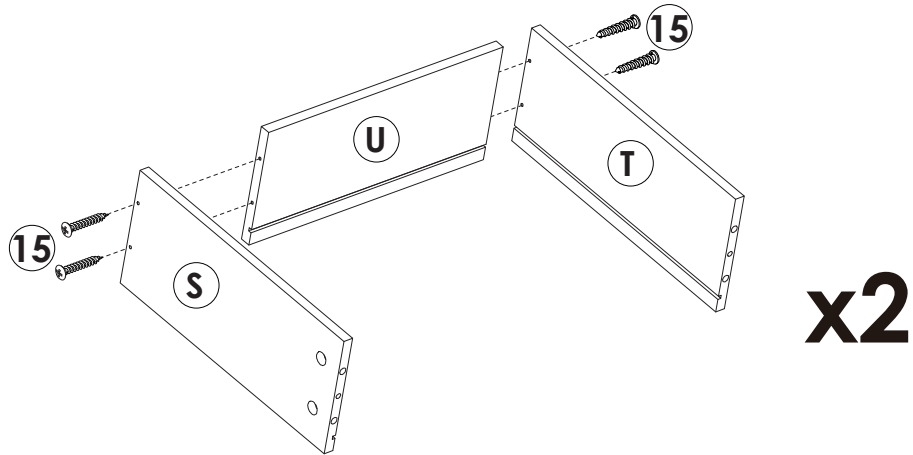
19

 
⑧ x 8 ⑩⑥ x 1

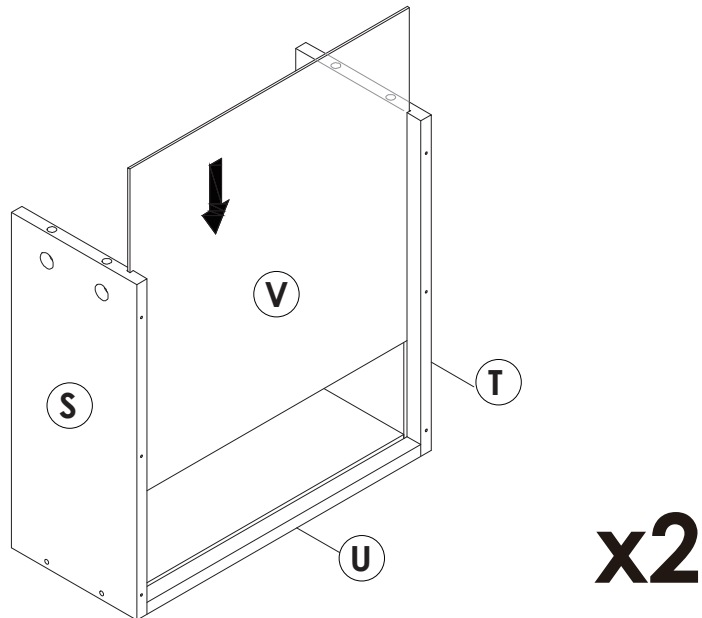


20



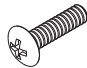

①5 x 8

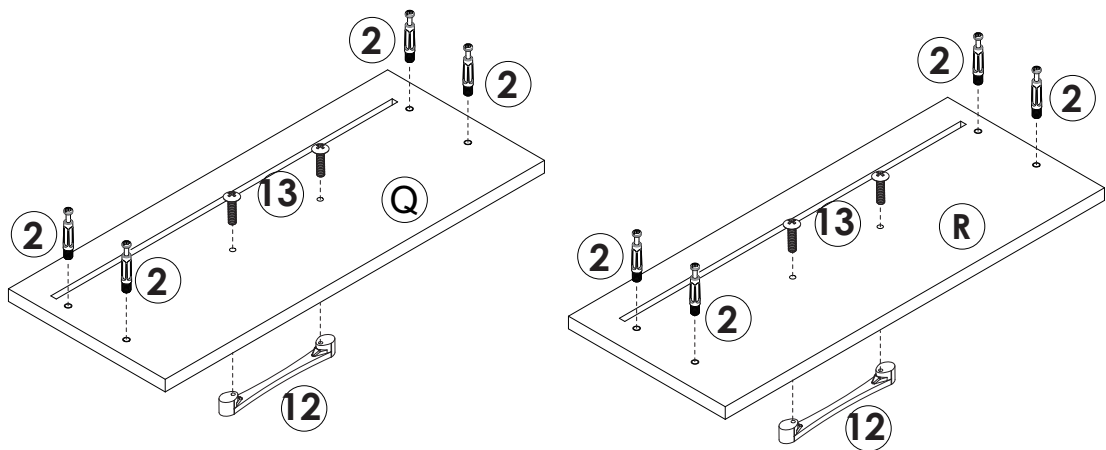


21



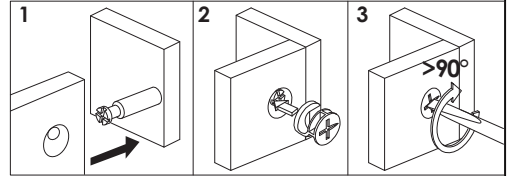
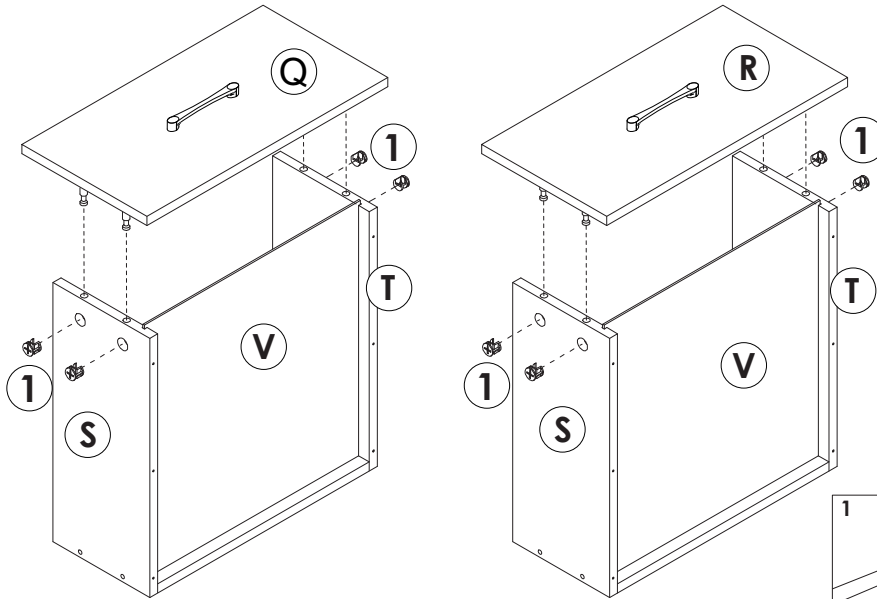
22

 ② x 8  ⑫ x 2  ⑬ x 4






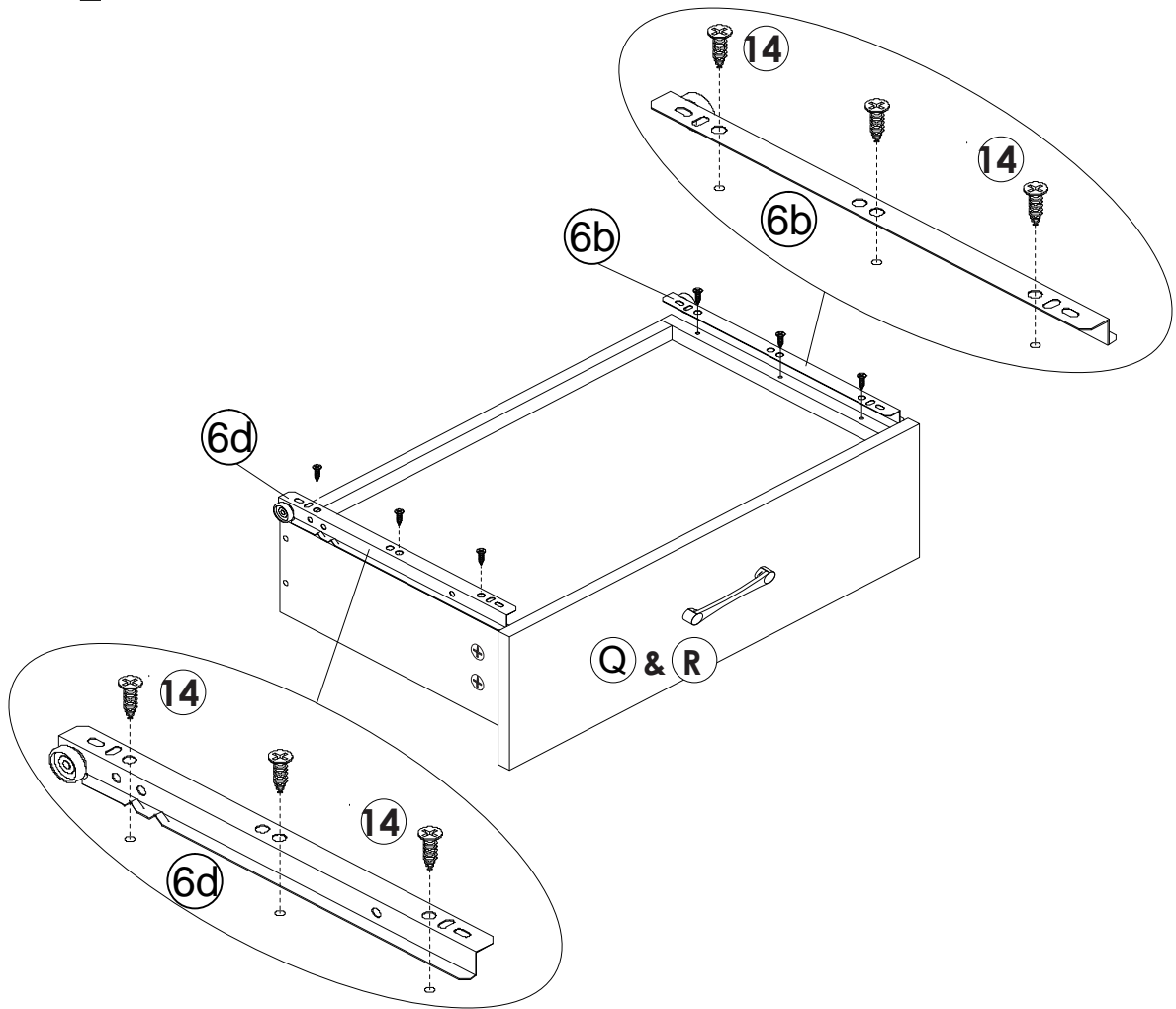
23

 ① x 8 



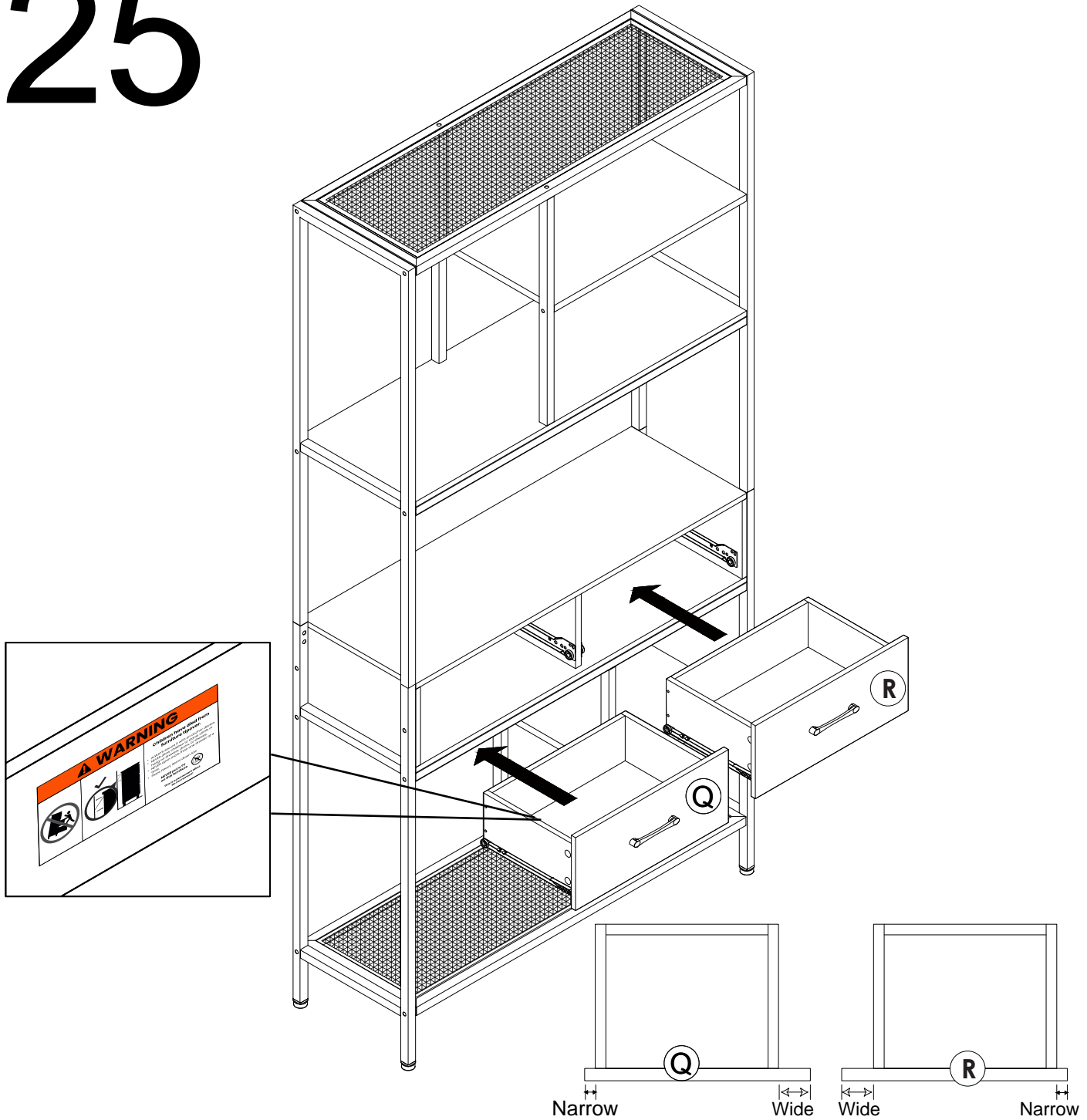
24

 ⑭ x 12  ⑥b x 2  ⑥d x 2

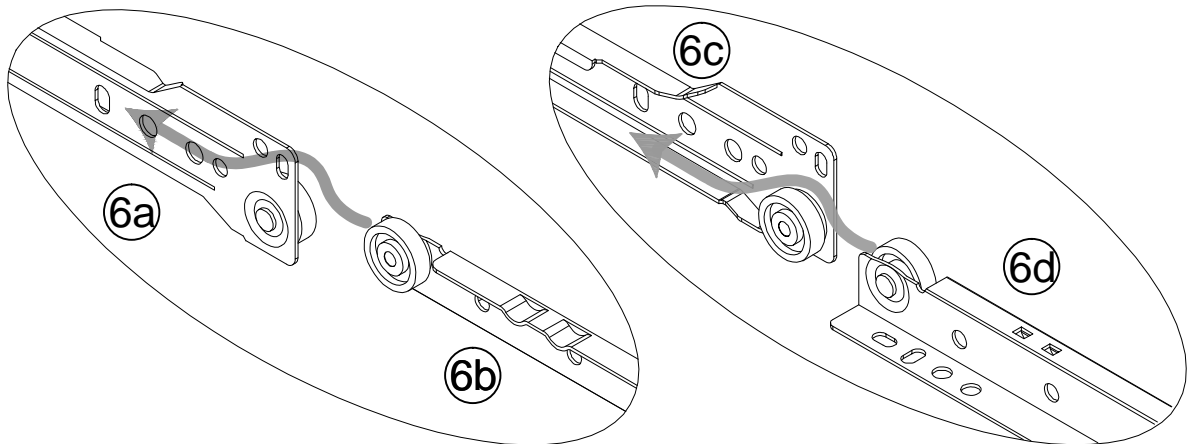


x2


25



Please identify "Q" and "R".
Make sure "Q" is for left drawer and "R" is for right drawer.

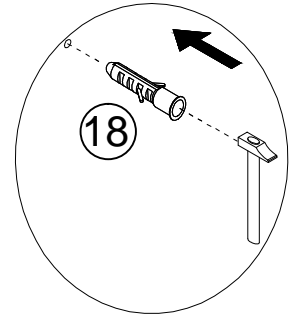
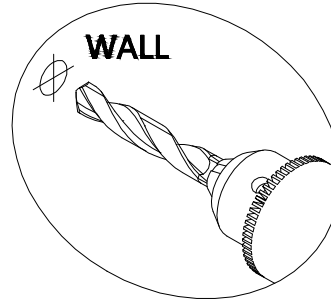
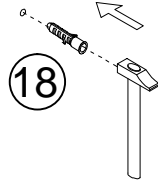
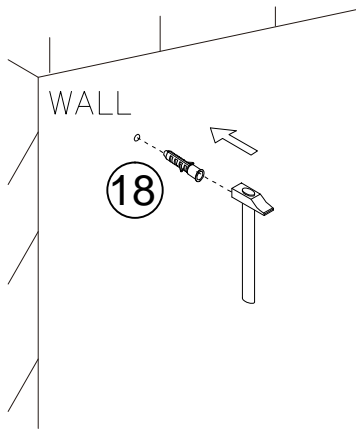


26


 **18** x 2

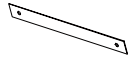


Move the product to the position you want, and drill 2 holes on the wall of the corresponding position according to the height and position of the anti-tip device, then place the plastic screw "18" into the hole accurately.

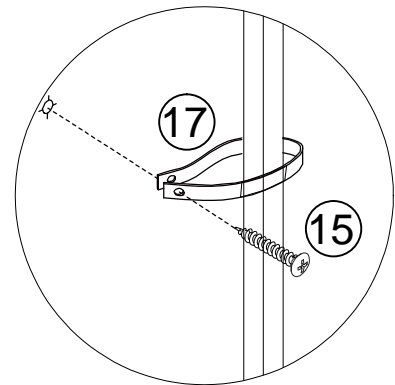
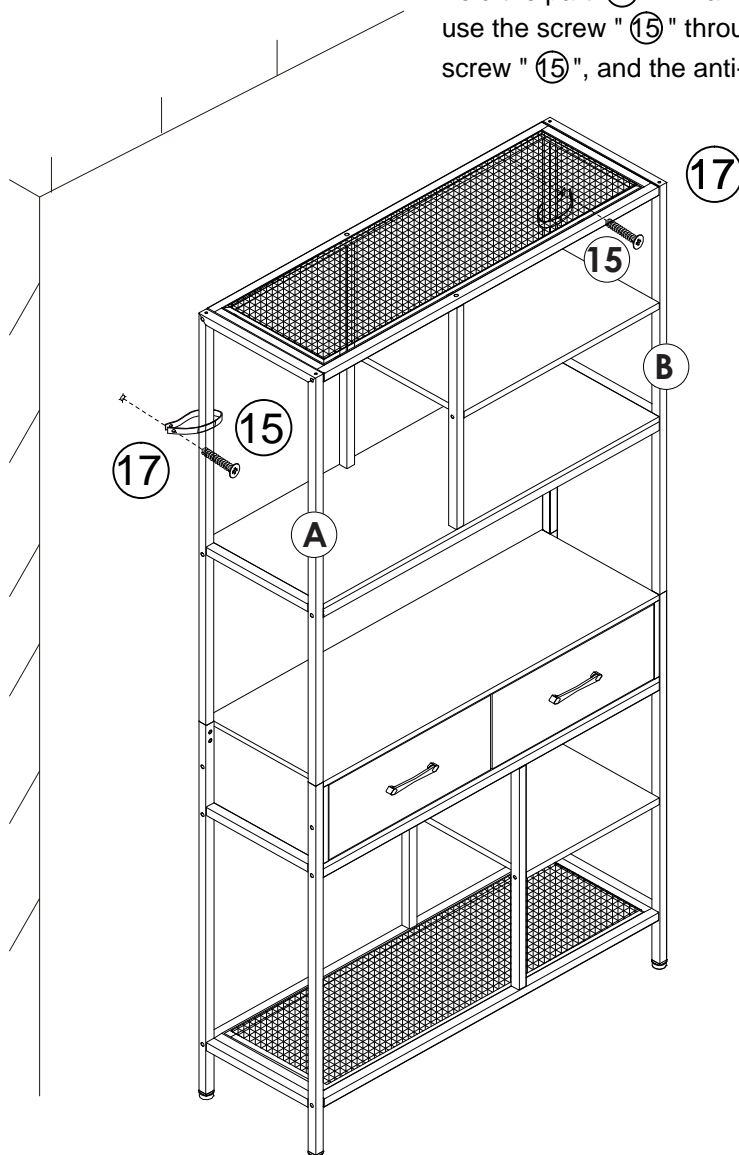


27

 **15** x 2

 **17** x 2

Fold the part "17" in half and fasten it on the two sides of the product, use the screw "15" through the hole above and lock it in the plastic screw "15", and the anti-falling device is completed



To protect your furniture, we suggest the following:

- Avoid placing your furniture in direct sunlight.
- Do not place furniture directly under windows.
- Do not place sharp materials (knife, fork, etc.) directly onto your furniture as sharp material may scrape and damage the finish.
- Do not place material with high temperature directly onto the surface surface of furniture.
- Clean up spills quickly. Water left over a prolonged period of time may cause damage. Alcohol, perfume, nail polishes, aftershave and some medication may cause severe finish damage if not cleaned immediately.
- Use a clean, soft, dry, lint free absorbent cloth to clean your furniture. Do not use any detergent as they may contain ingredients that may react and damage the finish.
- **NOTE:** If the above care advise is not adhered to your product warranty may become void.